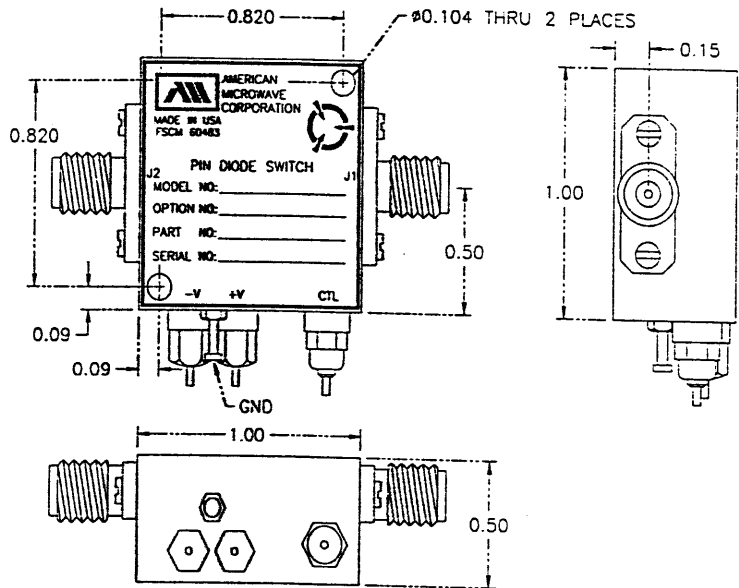


SPST REFLECTIVE PIN-DIODE SWITCH/MODULATOR

**AMERICAN MICROWAVE
CORPORATION**

KEY FEATURES

- 0.3 GHz TO 18 GHz
- LOW LOSS
- HIGH POWER
- HIGH ISOLATION
- MINIATURE
- TTL LOGIC COMPATIBLE



AMC MODEL No: SWN-2184-1A (Option 45-068)

SPECIFICATIONS:(REFLECTIVE)

| | | |
|-----------------------------------|---|----------------------------------------|
| • FREQUENCY RANGE | : | 0.3 GHz to 18.0 GHz |
| • INSERTION LOSS | : | 2.5 dB MAX. |
| | : | 0.70 dB TYP. @ 0.3 GHz |
| | : | 0.60 dB TYP. @ 0.5 GHz |
| | : | 0.55 dB TYP. @ 2.0 GHz |
| | : | 1.20 dB TYP. @ 8.0 GHz |
| | : | 2.41 dB TYP. @ 18.0 GHz |
| • ISOLATION | : | ≥ 60 dB MIN. |
| | : | ≥ 55 dB TYP. @ 0.3 GHz |
| | : | ≥ 60 dB TYP. @ 0.5 GHz |
| | : | ≥ 85 dB TYP. @ 2.0 GHz |
| | : | ≥ 80 dB TYP. @ 8.0 GHz |
| | : | ≥ 70 dB TYP. @ 18.0 GHz |
| • VSWR | : | 2.0:1 |
| • SWITCHING SPEED | : | "RISE" 100nS MAX., 75nS TYP. |
| | : | "FALL" 100nS MAX., 75nS TYP. |
| | : | "ON" 250nS MAX., 220nS TYP. |
| | : | "OFF" 250nS MAX., 100nS TYP. |
| • CONTROL | : | TTL Compatible |
| • VIDEO TRANSIENTS | : | ≤ 2.0V Peak to Peak, 300 MHz Bandwidth |
| (Low video transients available) | : | ≤ 2.0V Peak to Peak, 20 MHz Bandwidth |
| • RF INPUT POWER | : | 20 Watts Peak, 7 Watts Average |
| • DC POWER SUPPLY | : | +5vdc @ +100mA MAX. |
| (Other supply voltages available) | : | -15vdc @ -50mA MAX. |
| • SIZE | : | 1.0" X 1.0" X 0.5" |
| • WEIGHT | : | ≤ 1.0 oz. |

January 15, 1998

7311 G GROVE ROAD, FREDERICK, MARYLAND 21704 • Tel. (301) 662-4700 • Fax (301) 662-4938